



# PAL Treo

Nicheless LED light with Color Touch Technology for fiberglass, gunite and vinyl liner pools

## FEATURES:



No bonding,  
no grounding,  
no niche,  
no J. box



Fits standard  
1.5" wall fitting



Color Touch &  
switch modes  
available



RF Control



Wi-Fi Control-  
apps available



Trim rings  
color options:  
white, black,  
gray, beige



Even glow,  
no shadow



US and  
Canadian  
approved

# PAL

# Treo

### Color Control

Control color, speed, brightness and modes

### Wireless Touch

Wi-Fi tablets and smartphones

## Color Touch Technology

### Memory Recall

Remembers last color, speed and brightness

### Auto Sync

Automatic sync of your PAL™ lights every time



#### APPLE OR ANDROID DEVICES

Operating dist: 150 - 200feet

#### RF HANDSET

Part No: PCT-1  
Operating dist: 150 - 200feet

#### RECEIVER/DRIVER

Part No: PCR-4U  
50watts / 12volts  
Wi-Fi and RF  
IP 65  
UL listed

#### PAL Treo

Part No: PAL-2T4  
3.5watts  
50,000 hour life  
UL listed

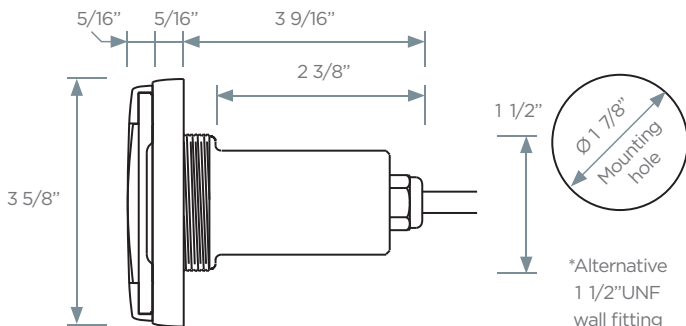
#### ACCESSORIES

Stainless steel covers  
Changeable lamps

## System Link

Allows you to link multiple systems for home and pool automation

### DIMENSIONAL DETAILS



### PART NUMBERS

Color Touch	Code
PAL-2T4 with LAU-4 LED lamp and 79feet of cable	42-2T454LAU
PAL-2T4 with LAU-4 LED lamp and 150feet of cable	42-2T456LAU
Switch Mode	
PAL-2T2 with LAU-2 LED lamp and 79feet of cable	39-2T254LAU
PAL-2T2 with LAU-2 LED lamp and 150feet of cable	39-2T256LAU
Drivers/Transmitters/Wi-Fi	
PCR-4 Receiver/Driver class 2 power supply with PCT-1 hand held transmitter, wall holder & Wi-Fi ready but not fitted	42-PCR-4U
PCR-4 Receiver/Driver class 2 power supply with PCT-1 hand held transmitter, wall holder & fitted w/- PCW-1 Wi-Fi module to suit PAL-2T4 and PAL-2L4	42-PCR-4UW
Spare PCT-1 hand held transmitter w/- wall holder supplied with 2x 1.5volt batteries	42-PCT-1
Spare Wi-Fi module kit	42-PCTWF1



APPLE AND ANDROID APPS AVAILABLE AT ITUNES AND GOOGLE PLAY

**Horizon™**  
Spa & Pool Parts, Inc.  
Phone: 800.874.7727  
Publication No. P42-31A